

**User Guide – MODBUS protocol
Firmware Version : 540A**

DAT 3148

PRELIMINAR DESCRIPTION

All the data variables shared by a Modbus module are shown in tables, where each data is linked to one address. Each data can be of two types:

- "COIL", composed by a single bit, can be associated to digital input (switch), digital outputs (relays), logic states (alarms).
- "REGISTER", composed by 2 bytes (16 bits), can be associated to analog input or outputs, variables, set-point, etc...

A register can also include the image of more coils, for example the 16 digital inputs of a device can be read and write as bit, one by one, addressing the relative coil, or they can be read or write as a single 16-bit port addressing the associated register, where for example the last significant bit will respond to the first coil.

In the Modbus protocol, coils and registers are divided in banks:
0xxxx and 1xxxx = Coils (bits)
3xxxx and 4xxxx = Registers (words)

REGISTERS TABLE

Register	Description	Access	E ² P
40001	Test	R/W	
40002	Firmware Version	R	
40003		R	
40004	Device Name	R/W	*
40005		R/W	*
40006	Communication	R/W	*
40007	Address	R/W	*
40008	RX/TX Delay	R/W	*
40009	Watchdog Timer	R	
40010	Coils	R/W	
40011	Digital Inputs (Coils)	R	
40012	High rise Latch (Coils)	R/W	
40013	Low rise Latch (Coils)	R/W	
40014	Synchronism Value (Coils)	R/W	
40015	Counter #0	R/W	
40016	Counter #1	R/W	
40017	Counter #2	R/W	
40018	Counter #3	R/W	
40019	Counter #4	R/W	
40020	Counter #5	R/W	
40021	Counter #6	R/W	
40022	Counter #7	R/W	

COILS TABLE

Coil	Description	Access	E ² P
00001	Watchdog Alarm Enable	R/W	
00002	Watchdog Alarm Event	R/W	
00003	Power-Up Event	R/W	
00004	Automatic Counter Reset #0	R/W	
00005	Automatic Counter Reset #1	R/W	
00006	Automatic Counter Reset #2	R/W	
00007	Automatic Counter Reset #3	R/W	
00008	Automatic Counter Reset #4	R/W	
00009	Counter Enable #0	R/W	
00010	Counter Enable #1	R/W	
00011	Counter Enable #2	R/W	
00012	Counter Enable #3	R/W	
00013	Counter Enable #4	R/W	
00014	Counter Enable #5	R/W	
00015	Counter Enable #6	R/W	
00016	Counter Enable #7	R/W	
00017	Input #0	R	
00018	Input #1	R	
00019	Input #2	R	
00020	Input #3	R	
00021	Input #4	R	
00022	Input #5	R	
00023	Input #6	R	
00024	Input #7	R	
00025	Input #8	R	
00026	Input #9	R	
00027	Input #10	R	
00028	Input #11	R	

NOTE:

The registers marked with '*' in the 'E²P' column are saved in EEPROM each time they are written, to be automatically reloaded to each power-on of the device.

IMPLEMENTED MODBUS FUNCTIONS

Function	Description
01	Read multiple coils (0xxxx bank)
02	Read multiple coils (1xxxx bank)
03	Read multiple registers (4xxxx bank)
04	Read multiple registers (3xxxx bank)
05	Write single coil
06	Write single register
15	Write multiple coils
16	Write multiple registers
08	Diagnostic

NOTE:

For DAT3000 series devices, the bank 0xxxx is a mirror of bank 1xxxx, as the 3xxxx bank is a mirror of bank 4xxxx, as for i.e. the first register can be read indifferently as 30001 (with the function 04) or 40001 (with the function 03)

REGISTER DESCRIPTION

40001 : TEST

This register is used to perform the following functions:
 - Synchronized sampling (see the "Procedures" section).

40002 / 40003 : FIRMWARE VERSION

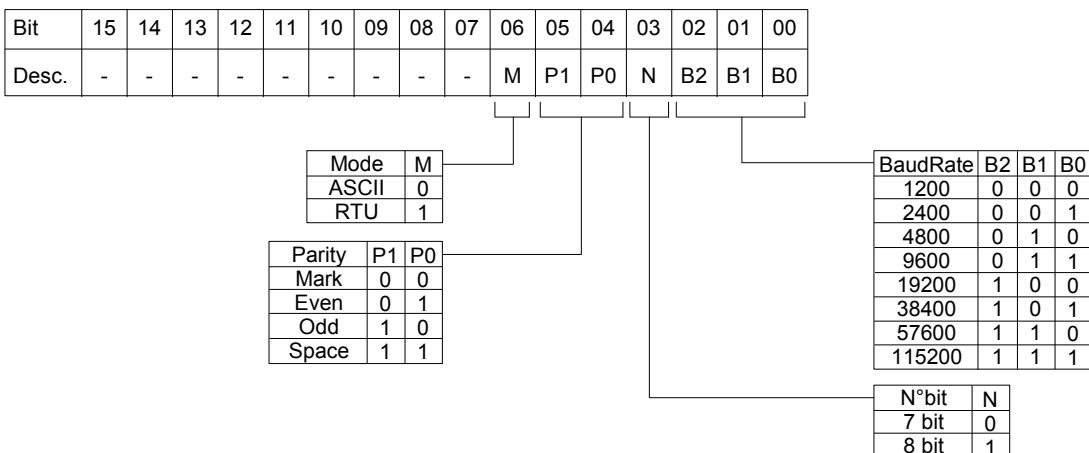
Read-only 2-register field, that hold the manufacturer firmware identifier.
 - Manufacturer default: 540A (hex)

40004 / 40005 : DEVICE NAME

2-registers field (4 byte or 4 ASCII characters) user free, that can hold the device name or a function identifier. Each byte can be written with each value from 0 to 255, than ASCII characters too.
 The manufactures value of this field hold the device identifier.
 - Manufacturer default: "3148" (ASCII).

40006 : COMMUNICATION

Set the bits of this register as shown in the following table, to set the baud-rate, the bit number, the parity type and the protocol type.
 - Manufacturer default: 38400 bps, RTU mode



NOTES:

- the bit number is ignored, as for in ASCII mode it is fixed to 7 and in RTU mode it is fixed to 8.
- In RTU mode the parity is ignored (parity NONE)

40007 : ADDRESS

Specify the net address of the device; there are allowed the address from 1 to 255.
 Each device connected to the same net must have a unique address.
 The address 255 is used for broadcast functions (i.e. synchronized sampling)
 - Manufacturer default: 01

40008 : RX/TX DELAY

Specify the value of the delay between the reception of a command and the response transmission, indicated in milliseconds.
 - Manufacturer default: 1 (1 ms.)

40009 : WATCHDOG TIMER

Specify the value of the WatchDog Timer (see the "Procedures" section), indicated in steps of 0.5 seconds.
 - Manufacturer default: 10 (5 sec.)

40010 : COILS

This register is a mirror of the coils table: each bit of this register corresponds to a coil, as shown in the following table.

Bit	15	14	13	12	11	10	09	08	07	06	05	04	03	02	01	00
Coil	08	07	06	05	04	03	02	01	16	15	14	13	12	11	10	09

40011 : DIGITAL INPUTS (COILS)

This register show digital inputs state (0 = OFF , 1 = ON).
 The same values can be read by the coils table, of which this register is a mirror.

Bit	15	14	13	12	11	10	09	08	07	06	05	04	03	02	01	00
Input	#3	#2	#1	#0	#3	#2	#1	#0	-	-	-	-	#11	#10	#9	#8
Coil	24	23	22	21	20	19	18	17	-	-	-	-	28	27	26	25

40012 : DIGITAL INPUTS HIGH RISE LATCH (COILS)

This register show the high rise latch of the digital inputs. Each bit is associated to a digital input and is forced to 1 when a high-rise front happens (the input goes from OFF to ON); this bit still 1 until it is cleared by a writing or at the device reset.

Bit	15	14	13	12	11	10	09	08	07	06	05	04	03	02	01	00
Input	#7	#6	#5	#4	#3	#2	#1	#0	-	-	-	-	#11	#10	#9	#8

40013 : DIGITAL INPUTS LOW RISE LATCH (COILS)

This register show the low rise latch of the digital inputs. Each bit is associated to a digital input and is forced to 1 when a low-rise front happens (the input goes from ON to OFF); this bit still 1 until it is cleared by a writing or at the device reset.

Bit	15	14	13	12	11	10	09	08	07	06	05	04	03	02	01	00
Input	#7	#6	#5	#4	#3	#2	#1	#0	-	-	-	-	#11	#10	#9	#8

40014 : DIGITAL INPUTS SYNCHRONISM VALUE (COILS)

When the device receive the Sync command (see the "Procedures" section), the actual input values are saved in these registers, channel by channel, to be read in a following time.

Bit	15	14	13	12	11	10	09	08	07	06	05	04	03	02	01	00
Input	#7	#6	#5	#4	#3	#2	#1	#0	-	-	-	-	#11	#10	#9	#8

40015 : DIGITAL COUNTER #0

40016 : DIGITAL COUNTER #1

40017 : DIGITAL COUNTER #2

40018 : DIGITAL COUNTER #3

40019 : DIGITAL COUNTER #4

40020 : DIGITAL COUNTER #5

40021 : DIGITAL COUNTER #6

40022 : DIGITAL COUNTER #7

These registers show pulse count on the associated input (see "Procedures" section).
The format value is 16 bit non-signed integer (0 ÷ 65535).

COILS DESCRIPTION

00001 : WATCHDOG ALARM ENABLE

Enable the WatchDog alarm. If the alarm is enabled and the device does not receive any command for a time longer than the time specified in the 40009 register, the WatchDog alarm Event coil is forced to 1 (see the "Procedures" section).

0 = Watchdog alarm disabled
1 = Watchdog alarm enabled

00002 : WATCHDOG ALARM EVENT

This coil indicates the condition of WatchDog Alarm. If the alarm is enabled and the device does not receive any command for a time longer than the time specified in the 40009 register, this coil is forced to 1. To return from the alarm condition, set this coil to 0.

0 = Normal Condition
1 = Alarm Condition

00003 : POWER-UP EVENT

This coil is forced to 1 at each power-on of the device; this state indicates that the device has been switched off. It is possible to know if a reset of the device is happened clearing this coil and monitoring its state.

0 = reset not happened
1 = reset happened

00004 / 00008 : AUTOMATIC COUNTER RESET #0 ÷ #4

Enables the automatic counter reset: if enables, the counter value will be written to 0 after each reading of the Counter register.

0 = User reset
1 = Automatic reset

00009 / 00016 : COUNTER ENABLE #0 ÷ #7

Enables the input counter.

00017 / 00028 : DIGITAL INPUTS

Each coil show the corresponding input state (0 = OFF , 1 = ON).

PROCEDURES

HOW TO USE THE "INIT" FUNCTION

If the exact configuration of a module is unknown, it can result impossible to establish a communication with it.

The "INIT" function gives a solution to this throuble:

- Connect to the RS485 net only the device to configure.
- Turn off the device.
- Connect the INIT pin (D) to the GND pin (C).
- Turn on the device.
- Ensures that the "PWR" green LED on the front of the enclosure is lighted.

If not, control the voltage supply connections (I and J pins) and RS485 net connections (A and B pins).

If the supply connection is right, and the led still unlighted, it can be necessary to invert the RS485 pins connection.

- Set the communication port to these values:
 - baud-rate = 9600 bps
 - parity = None
 - n° bits = 8
 - stop bits = 1
- The device now communicates at the address 01 with the RTU protocol.
- Read or program the desired settings on the registers:
 - 40006 : "Communication" for the baud-rate setting
 - 40007 : "Address" for the net address of the device
- Turn off the device.
- Disconnect the INIT pin from the GND pin.
- Turn on the device.
- Set the communication port at the baud-rate programmed in the 40006 register.
- The device now communicates with the addressprogrammed in the 40007 register.

NOTE: The default manufacturer programmation is the following:

- Address : 01
- Baud-rate : 38400 bps
- Protocol : RTU

WATCHDOG

The modules has been provided of a Host Watchdog timer which, when it is enabled, makes to start the alarm each time the communication between the module and the host is inactive for a period time greater then the programmed one. When the alarm goes on, the values of the outputs are automatically converted to the values set as 'safety value', that corresponding to the state in which the outputs must be putted, and therefore the actuators are putted, to avoid damages to the system in case of failure. Moreover, under the alarm condition the green LED on the front of the enclosure is blinking and the "Watchdog Event" coil is forced to 1.

To return from the alarm condition, reset the coil "Watchdog Event" coil: the LED stop blinking and it is possible to set the outputs.

There is also a Module Watchdog timer that monitor the internal CPU work and is active when the CPU don't function correctly for any reason, and resets the module. After the reset, all outputs will assume their initial default value ("power up value"), that may be different to the output value after the reset.

SYNCHRONISM

The Synchronism function is performed by a command sent to all devices connected on the net. When the devices receive the Sync command, all input states are saved in the relative register, to be read after time. Doing this, it is possible to read the value of all inputs at the Sync command time.

To send the synchronism command, write the value 10 in the "Test" register (40001) at the address 255.

NOTE: The sync values are not saved in EPROM.

DIGITAL COUNTER

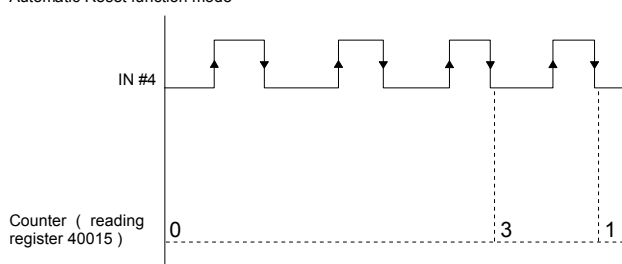
At each input pulse (falling edge), the value of the "Counter" register will be incremented by 1.

If the "Automatic Reset" is enabled, at each reading of the counter register, it will be automatically cleared to 0.

If the "Automatic Reset" is not enabled, the counter register will be cleared only by writing it to the value 0.

NOTE: at the power-up, the counter value will be cleared and the automatic reset will be enabled.

Automatic Reset function mode



User Reset function mode

